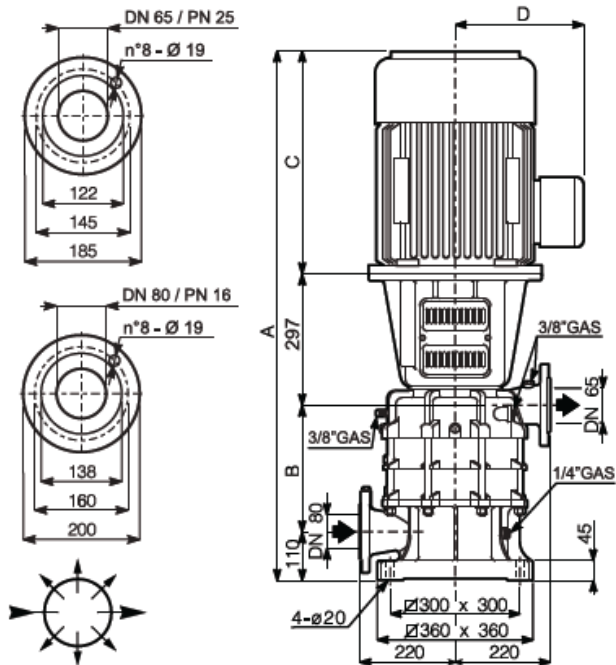


# rovatti pompe

## MEKV 80-60/x

### Pumper av støpejern

Pompa Pump Pompe Pumpe Bomba	IEC	kW	HP	H m	Portata - Capacity - Débit - Fördermenge - Caudal											
					l/min	0	800	900	1000	1100	1200	1250	1300	1400	1500	
					m³/h	0	48	54	60	66	72	75	78	84	90	
					l/s	0	13,3	15	16,7	18,3	20	20,8	21,7	23,3	25	
ME25K80-60/2P	ME25KV80-60/2P	•	18,5	25		91	83	79	76	71	66	62	-	-	-	-
ME30K80-60/2A	ME30KV80-60/2A	•	22	30		91	83	79,6	75,8	71,2	66,3	64	61	55	48	-
ME30K80-60/2P	ME30KV80-60/2P	•	22	30		108	102	99	95	90	84	81	-	-	-	-
ME35K80-60/2A	ME35KV80-60/2A		26	35		103	97	95	91	87	82	79	76,5	71	64,5	-
ME35K80-60/2A	ME35KV80-60/2A	•	30	40		103	97	95	91	87	82	79	76,5	71	64,5	-
ME35K80-60/2P	ME35KV80-60/2P		26	35		110	106	103	99	95	90,5	88	-	-	-	-
ME35K80-60/2P	ME35KV80-60/2P	•	30	40		110	106	103	99	95	90,5	88	-	-	-	-
ME40K80-60/3A	ME40KV80-60/3A	•	30	40		128	115	111	105	97,8	89	84	79	66	50	-
ME40K80-60/3P	ME40KV80-60/3P	•	30	40		143	131	125	119	112	104	100	-	-	-	-
ME50K80-60/3A	ME50KV80-60/3A	•	37	50		148	141	136	130	124	116	111	106	95	81,2	-
ME50K80-60/3P	ME50KV80-60/3P	•	37	50		172	162	156	150	144	137	132	-	-	-	-
ME60K80-60/3A	ME60KV80-60/3A	•	45	60		175	167	163	158	152	144	140	135	125	114	-



Pompa Pump Pompe Pumpe Bomba	IEC	A	B	C
ME25KV80-60/2P	•	*	203	*
ME30KV80-60/2A	•	*	203	*
ME30KV80-60/2P	•	*	203	*
ME35KV80-60/2A		*	203	*
ME35KV80-60/2A	•	*	203	*
ME35KV80-60/2P		*	203	*
ME35KV80-60/2P	•	*	203	*
ME40KV80-60/3A	•	*	273	*
ME40KV80-60/3P	•	*	273	*
ME50KV80-60/3A	•	*	273	*
ME50KV80-60/3P	•	*	273	*
ME60KV80-60/3A	•	*	273	*