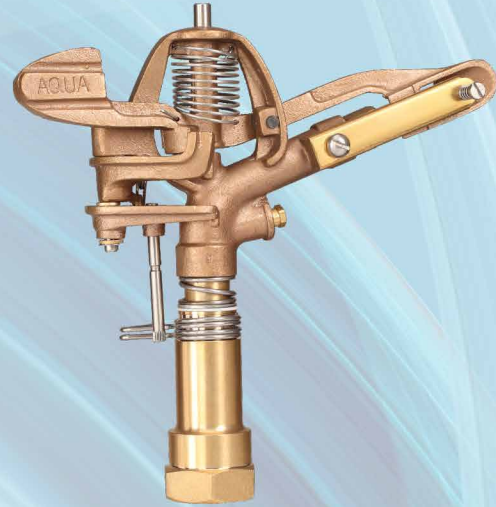
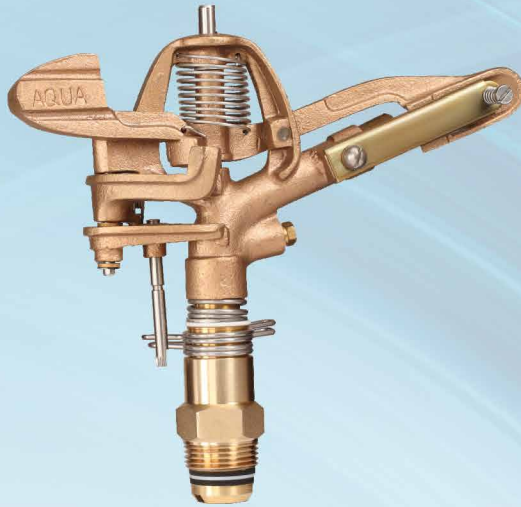


AQ - 30BPC

Overhead Sprinklers



Application

- All crops irrigation suitable by overhead irrigation, ideal for landscape and turf irrigation, waste water treatment and dust suppression applications.
- For Efficient irrigation of field edges.

Features

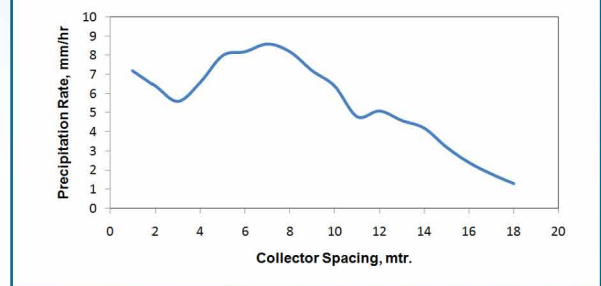
- Available in 1" BSP/NPT male/female threaded
- Durable Bronze body, Arm and part circle parts.
- Heavy duty Brass Nut, Tube, nozzles and spreader arm.
- Stainless Steel Pivot Pin, part circle changing pin.
- Recommended Pressure 2.5 - 5.0 kg/cm² or 35 - 70Psi
- PU thrust pad for impact wear resistance.
- Recommended spacing up to 21m for higher distribution uniformity.
- Trajectory Angle: 23°

Performance Table

Nozzle (mm)	Nozzle (Inch)	Pressure		Coverage Diameter		Discharge Rate	
		kg/cm ²	Psi	mtr.	ft.	LPM	GPM
6.35 x 3.17	1/4" x 1/8"	2.5	35.55	30.8	101.02	51.1	13.50
		3	42.66	31.4	102.99	55.8	14.74
		3.5	49.77	32	104.96	59.6	15.74
	4	56.88	33.8	110.86	63.3	16.72	
		4.5	63.99	35.2	115.46	67.4	17.80
7.14 x 3.17	9/32" x 1/8"	5	71.1	36.6	120.05	71.2	18.81
		2.5	35.55	32.8	107.58	59.4	15.69
		3	42.66	34	111.52	65.3	17.25
		3.5	49.77	34.8	114.14	69.3	18.30
		4	56.88	35.4	116.11	74.2	19.60
7.94 x 3.17	5/16" x 1/8"	4.5	63.99	36.6	120.05	79.5	21.00
		5	71.1	37.8	123.98	83.8	22.13
		2.5	35.55	34.4	112.83	70.2	18.54
		3	42.66	35.2	115.46	75.4	19.92
		3.5	49.77	36	118.08	79.8	21.08
8.73 x 3.17	11/32" x 1/8"	4	56.88	37	121.36	86.3	22.79
		4.5	63.99	38.2	125.30	92.5	24.43
		5	71.1	39.6	129.89	97.3	25.70
		2.5	35.55	35.4	116.11	78.8	20.81
		3	42.66	36.4	119.39	85.2	22.50
3.5	4	49.77	37.6	123.33	89.9	23.75	
		56.88	38.8	127.26	97.6	25.78	
		63.99	40	131.20	102.4	27.05	
		71.1	41.8	137.10	109.6	28.95	

Nozzle Size: 7.14 x 3.17mm Pressure: 4.0kg/cm²

Distribution Curve



Spacing	CU	DU	SC(5%)	APR
R15 x 15	91%	86%	1.2	21.5
R18 x 18	87%	77%	1.4	14.9
R21 x 21	87%	75%	1.7	11

*Performance is based on ideal conditions of Temperature, wind velocity and Humidity.



E-mail: contactus@automatworld.com
Website: www.automatworld.com

Creating a Green World